

SHELTER ASSEMBLY MANUAL

**Model # W12 x L12 x H4m
C404013 Container Shelter**



SPECIFICATION

Width:12m Length: 12m Height: 4m

IMPORTANT-----READ MANUAL FIRST

Improper site preparation, Assembly and Maintenance may invalidate warranty and cause unnecessary and costly mistake. If you have any questions contact your local dealer.

For User Friendly assembly we have identified each individual component with the part code as indicated in the parts list. Please refer to the part code numbers and drawing to ensure problem free assembly.

It's necessary to tighten the roof fabric enough to avoid "hammocks" on the roof and also re-tighten once or twice again after a few months of use. This is important when assembly in cold weather (autumn and winter) because the fabric is stiff then and when we got the sun and warm weather afterwards it will make the fabric "slack" again and need to be re-tighten before next winter.



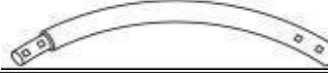




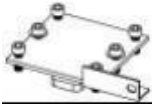


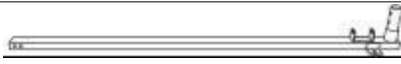





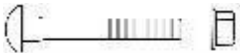
It's the owners responsibility to take of snow immediately if not slide off by itself.


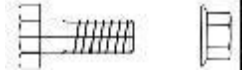


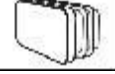



READ ALL INSTRUCTIONS BEFORE ASSEMBLY

1. Keep work area clean. Cluttered areas invite injuries. Do not set up near snow drifts, in slippery places, in high winds, or wet location.
2. Keep children away. All children should be kept away from the work area.
3. Don't overreach. Keep proper footing and balance at all times.
4. Do not assemble in under the influence of alcohol or drugs. Read warning labels on prescriptions to determine if your judgment or reflexes are impaired while taking drugs. If there is any doubt, do not assemble.
5. Be aware of possible windy conditions; fasten the bases in concrete if these conditions are likely to occur. Remove the cover during hurricane.
6. Be careful with power and heat sources. Do not keep heat sources near the tarpaulin. Do not expose to open flame.
7. Be aware of personal safety during assembly and use. Be careful not to pinch fingers with clips and tubes when assembling: when using makes sure there is adequate ventilation for exhaust and other dangerous fumes.

THINK SAFETY, EVERY DAY!

W40' L40' H13 PARTS LIST

Part Code	Description	Qty	
1	Roof Bent Tube	7	
2	Upside Bent Tube	14	
3	Underside Bent Tube	14	
4	Purlin	42	
5	Inclined Support Tube	24	
5A	Clip for Inclined Support Tube	48	
6	Lower Tensioning Tube	10/2 groups	
7	Fixtures at the four corners of the container	4	
8A	Left corner bottom square tube	2	
8B	Right corner bottom square tube	2	
8	Middle bottom square tube	8	
9	Connector for fixing square tube	20	
10	Iron plate for connecting square tube seat	20	
11	Ratchet	14	
12	Ratchet for four corners	4	
13	Nylon Band for Ratchet	14	
14	Carriage Bolts M10x90	84 sets	

15	Carriage Bolts M12x110	49 sets	
16	Bolts M10x110	40 sets	
17	Rope	1	
18	Plastic Plug	4	
19	Plastic square plug	4	
20	Roof Cover	1	
21	PPR Tube	16	
21A	Small Ratchet with Band	26	

⚠ WARNING

SAFETY TIPS

Always wear proper safety equipment such as safety glasses and gloves

EQUIPMENT AND TOOLS FOR INSTALLATION

1. Measuring tape
2. String for alignment
3. Step ladder
4. Welder
5. Sledgehammer
6. Wrench
7. Scissors

INSTALLATION PROCESS

A—BASE INSTALLATION

Please refer to the diagram (Figure 1) to place the base plates.

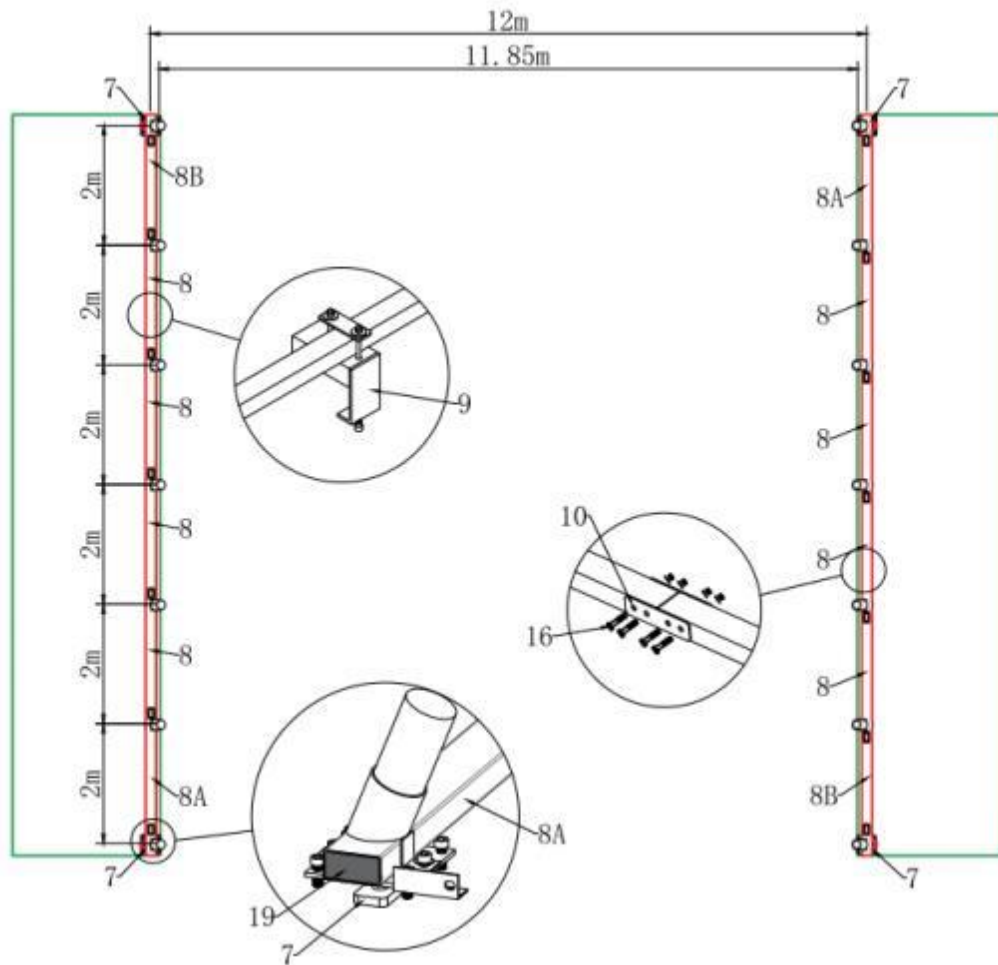


Figure 1

1. The measurement is from center to center of the tubes. Referring to the above diagram and confirm the place of the base plates. ENSURE THAT THE FOUNDATIONS IS SQUARE.
2. All bottom square tubes should be fixed to the container.

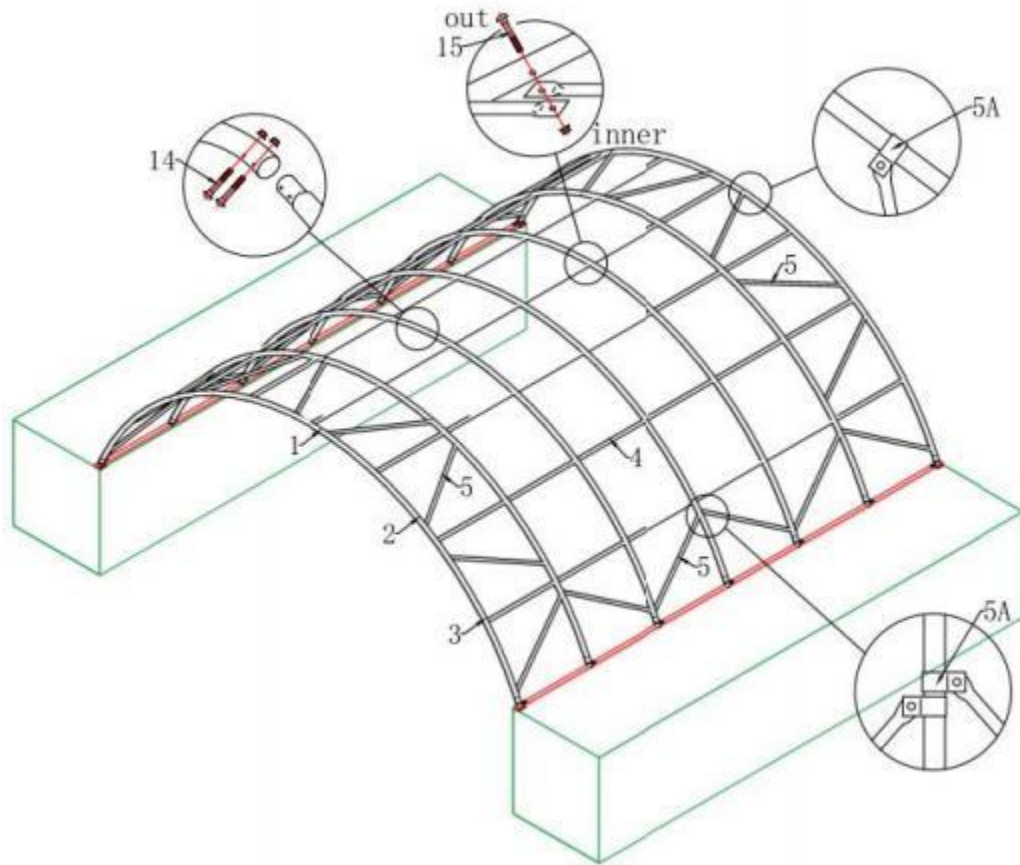


Figure 2 Sketch Frame

B—FRAME INSTALLATION

1. As Figure 3 shown, find Roof Bent Tube (No. 1), Upside Bent Tube (No.2) and Underside Bent Tube (No.3) . To connect them by Carriage Bolts (No.14.), which makes one group of arch. Please NOTE the direction of the bolt. DO NOT install the bolts on the top of the truss where the fabric will rest.

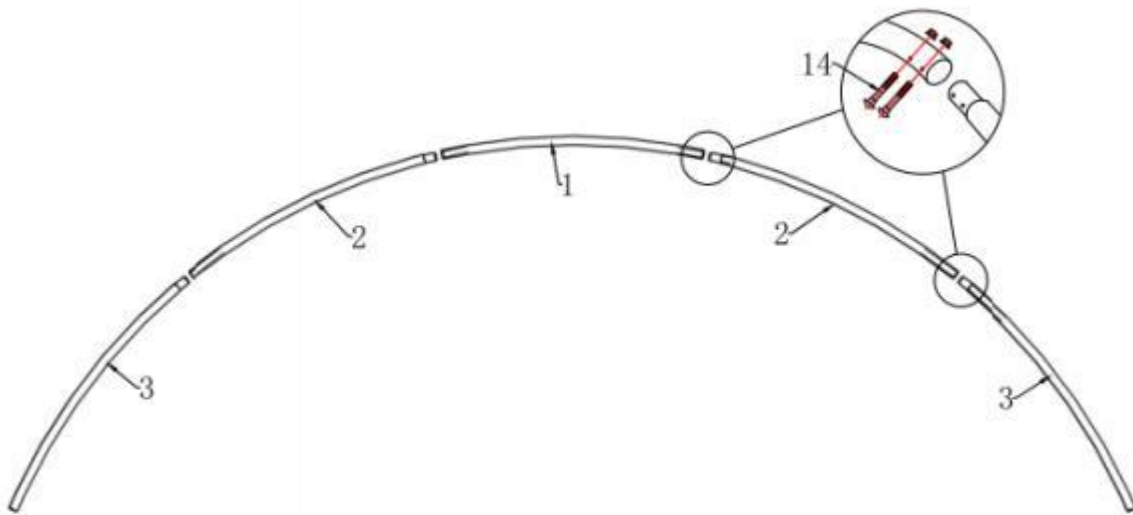


Figure 3

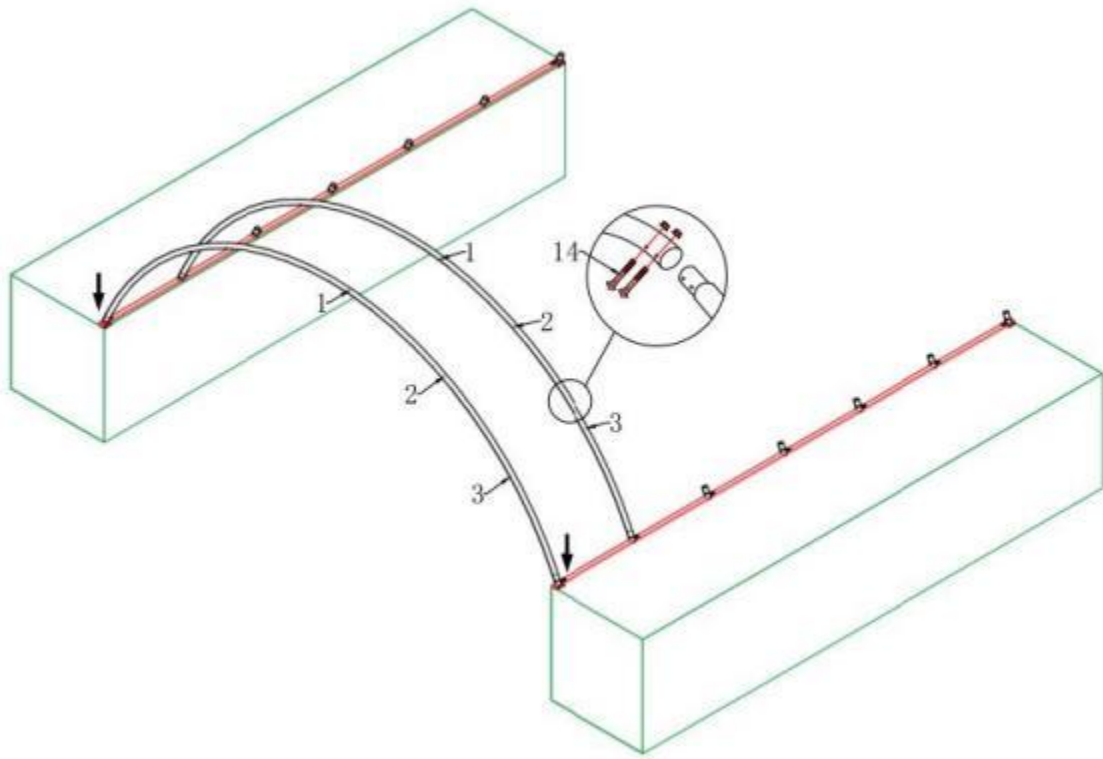


Figure 4

2. Insert one end of the assembled arch into a bottom square tube and press the other end of the arch into the opposite bottom square tube.

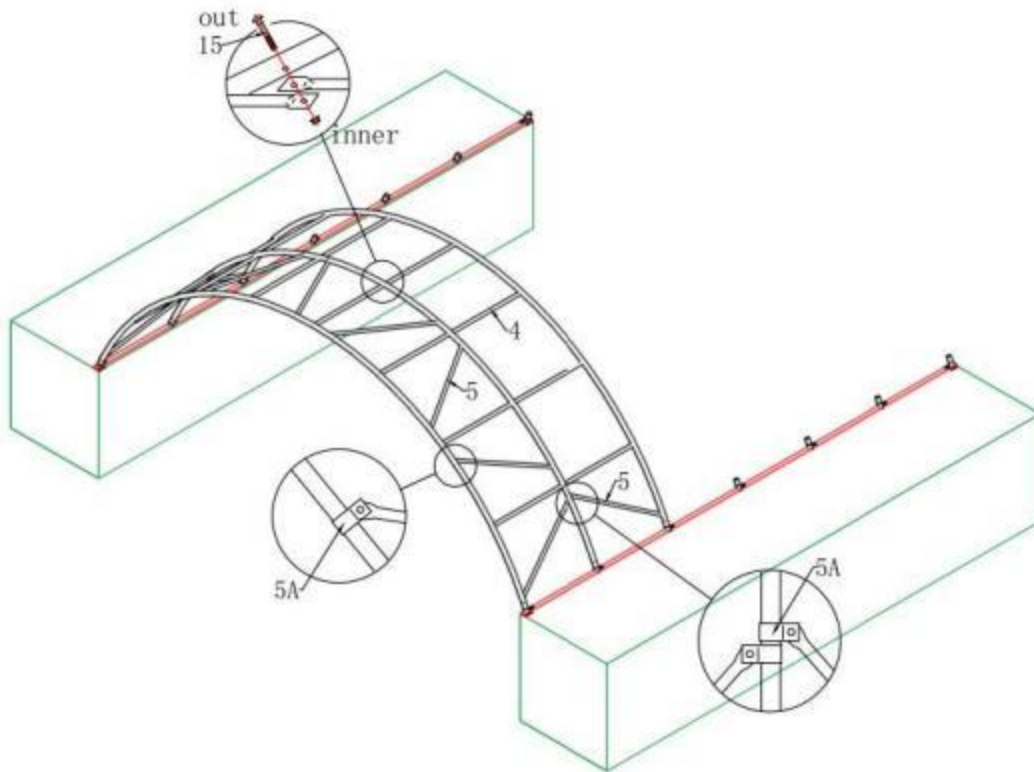


Figure 5

2. After installing the first two arches, connect the connection Purlins onto them by using Carriage Bolt (No.15). There are 7 pieces of connection Purlins (No.4) between each arch. Then install the rest of arches into base plate and connect the purlins. Finally install the Inclined Support tube (No.5) by using bolt and Clip (No.5A). Assemble the Frame by turns like this.

C—ROOF COVER INSTALLATION

NOTE: DO NOT install the cover onto the frame of your building in high wind conditions. A slight breeze is the most advantageous for cover installation. To take advantage of the breeze, pull the cover up over the arches with breeze blowing in the cover like a sail filled with air.

1. Assemble Tensioning Tube for Roof Cover (No.6) before installing the cover.
2. To put the Roof Cover (No. 6) **EVENLY, CAREFULLY AND SLOWLY** on the frame. Adjust the cover so that it is square and evenly centered on the frame.

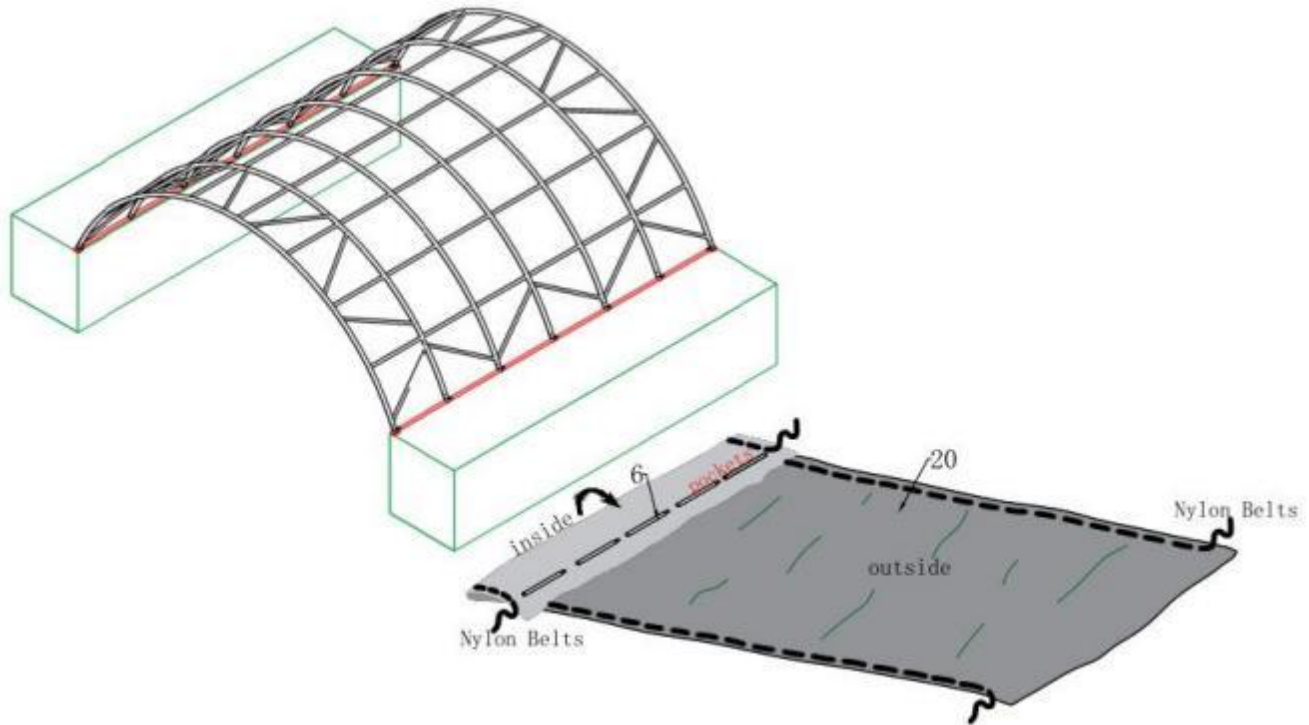


Figure 6

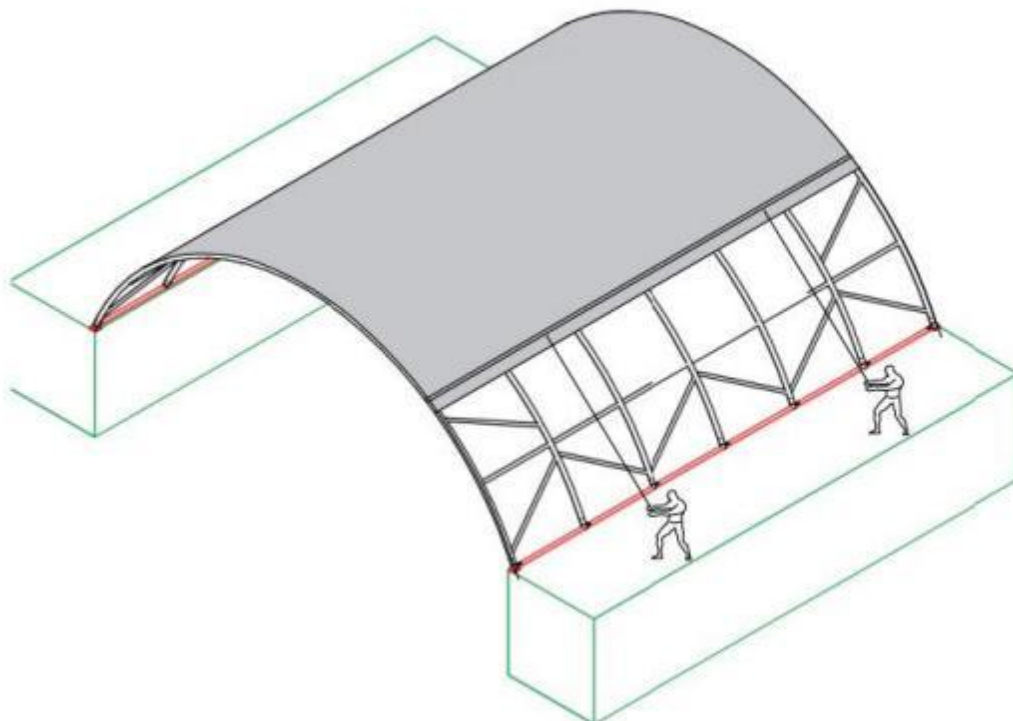


Figure 7

3. When roof cover is over top of frame assembly, insert the PPR Tube (No. 21) into pockets along both sides of roof cover, find the small ratchet (No. 21A) to connect on PPR tube in roof cover by parts.

4. Cutting pockets over each ratchet on the base plates and using the Nylon Band (No.13) to tie down the Lower Tensioning Tubes (No. 6) as Figure 8 shown. Finally install the Plastic Plug (No. 18) into two end of the Lower Tensioning Tube.

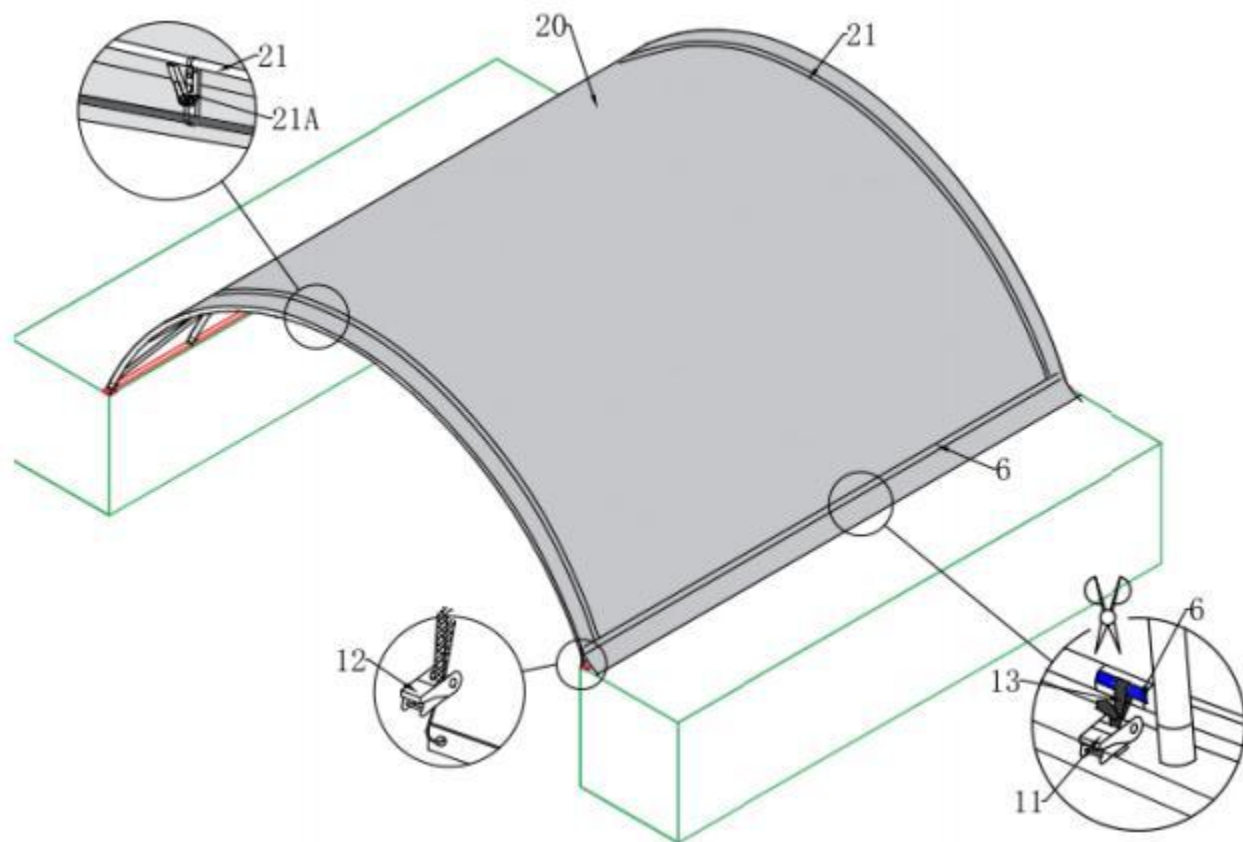


Figure 8

5. As Figure 8 shown, use NO.12 to tighten the nylon belts at both ends of the roof cover and hook NO.12 onto NO.7.

Please check the below installation detailed pictures:



(A)



(B)



(C)



(D)

NOTE: DO NOT LEAVE THE ROOF COVER UNATTACHED UNDER ANY CIRCUMSTANCES until the final assembly and tightening has been completed.

The process is quite easy. But some tightening adjustments will be necessary to produce a flat, tensioned roof cover. Please adjust the roof cover every month.

Please Note:



Please use the tape wrapped around the gap between the steel skeleton after installing.

NOTE:

1. Cloth tape for wrapping the gaps on the frame after frame installation.
2. Please adjust the roof cover every month. It's necessary to make the cover flat and well tensioned.

SAVE THIS MANUAL FOR FUTURE REFERENCE